

# iBee 22T

+0°C to +125°C high temperature submersible logger



## DESCRIPTION

The iBee 22T is a rugged, self-sufficient, silicone coated temperature logger, which measures and records temperature. This model can be used in applications involving immersion in liquids or application in small animals. Is also appropriate to monitor and record the temperature sterilization and pasteurization processes and in autoclaves or biological oceanographic research.

The memory holds up to 8192 records, measured at configurable intervals from 1 second up to 273 hours.

## SPECIFICATIONS

Temperature range	+0°C to +1250°C
Memory Capacity	up to 8192 samples
Sample Rate	From 1 second to 273 hours
Temperature Resolution	0,5°C or 0,0625°C
Temperature Accuracy	Better then $\pm 1,5^\circ\text{C}$ (+110°C to +140°C)
Thermal Response Constant	130s for 60% temperature full scale
Battery	Lithium, internal, non-replaceable
Battery Life	Up to 300 hours above +125°C or 300 heating-cooling cycles
Dimensions [mm]	17,35x5,89
Weight	4,4g
Clock Accuracy	$\pm 3$ min/month @ +25°C
User Memory	512 Bytes
Pressure	Up to 4bar

1) Battery characterization available in a separate document

## APPLICATIONS

- HACCP systems
- Sterilization and pasteurization
- Process analysis
- Pharmaceutical industry
- Biological testing
- Thermal mapping

## FEATURES AND BENEFITS

- Tiny size: potential for use virtually anywhere
- Highly resistant: stainless steel capsule
- Water proof and resistant up to 4bar.
- Large memory: long-term logging
- Optional ISO/IEC17025 calibration.
- Intuitive software: user friendly and uncomplicated.
- Optional add-on modules: to tailor the software to specific applications

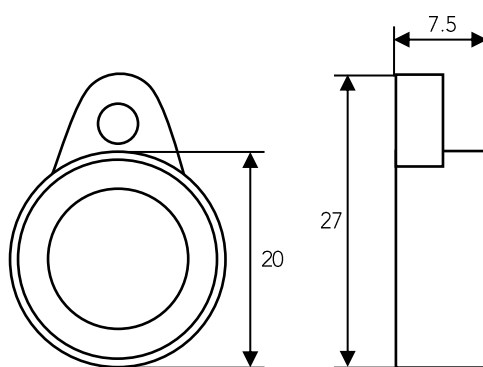


## EXPRESSTHERMO SOFTWARE

ExpressThermo is a software to manage iBee loggers. The interface - very intuitive and easy to use - allows you to adjust the log parameters, download and analyse samples and manage all the information. There are optional add-on modules for specific applications such as validation of thermal treatments.

## ACCESSORIES

- iBee connection interface



Dimensions in millimetres.

For more information about the iBee22T, visit

[www.eclo.solutions/IBEE22T](http://www.eclo.solutions/IBEE22T)